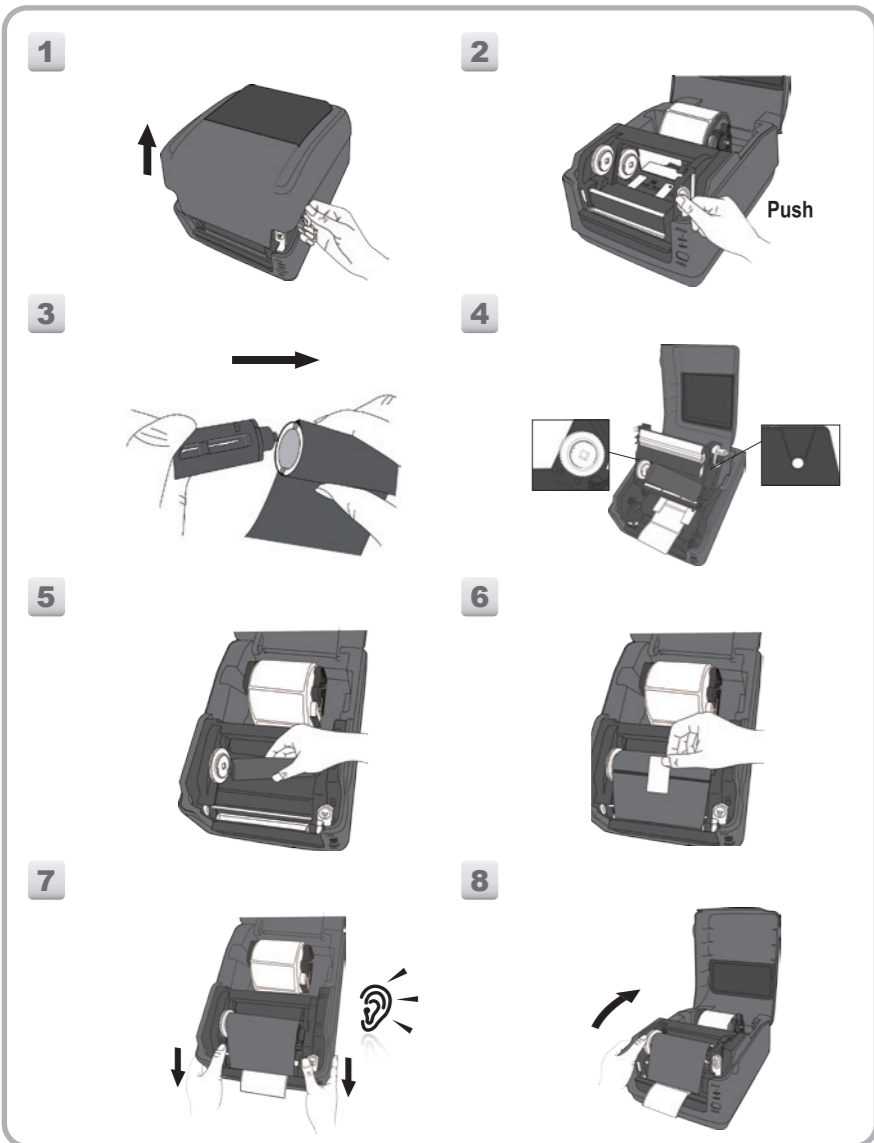
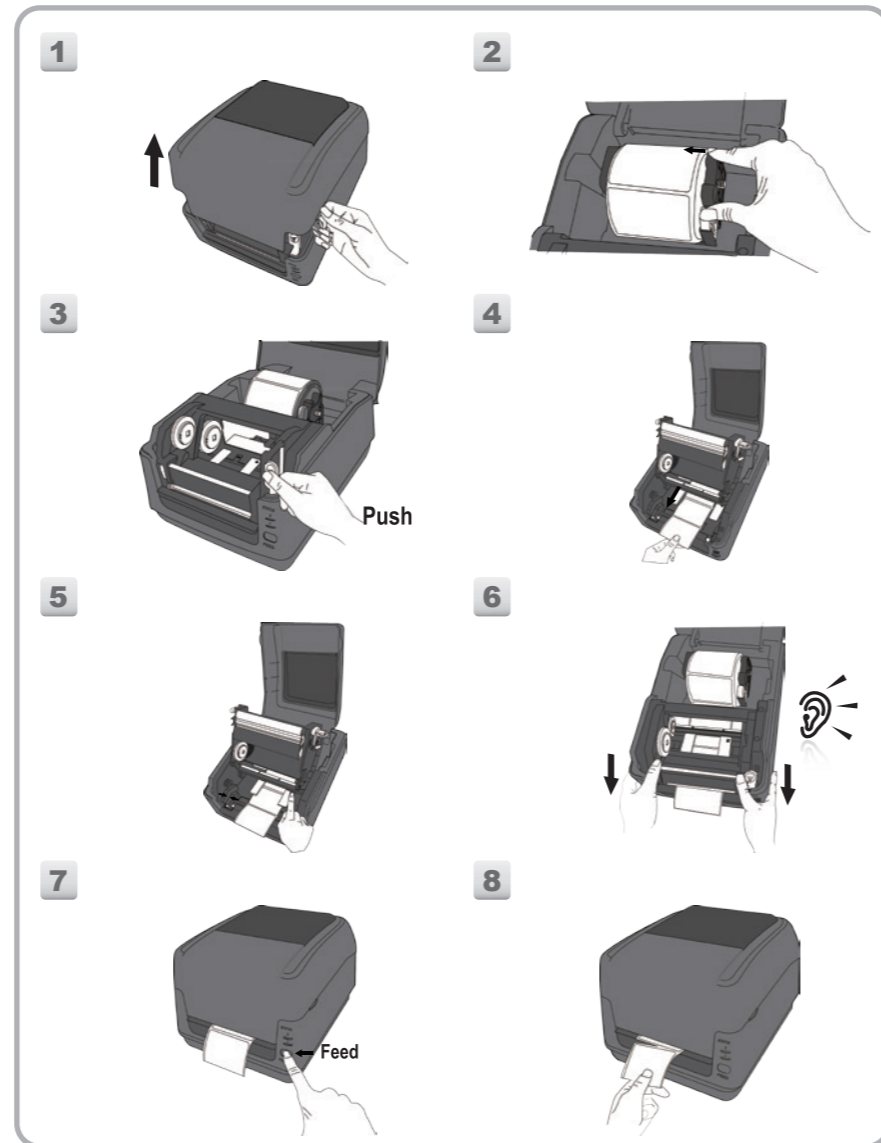


Loading Ribbon
 碳帶安裝
 碳帶安裝
 Instalación de cinta
 Chargement de ruban
 Laden des druckbandes
 Instalação de ribbon
 Caricamento nastro
 Lastning band
 Pasang Pita/Ribbon
 Ladeband
 Taśma załadowcza
 Ribon Takma
 리본 설치 방법



5

Loading Media
 紙捲安裝
 紙卷安裝
 Instalación de papel
 Chargement de papier
 Laden des labelmaterials
 Instalação de etiquetas
 Caricamento carta
 Lastning av papper
 Pasang Bahan/Media
 Papier laden
 Załadunek papieru
 Etiket takma
 용지 설치 방법



6

The user is cautioned that any changes or modifications not recommended by Argox Information Co. Ltd. could result in the loss of the user's authority to operate the equipment. To ensure compliance, the users must use accessories and peripherals approved by Argox Information Co. Ltd.



Supplemental Information: This device complies with the requirement of FCC Part 15 Rules. Operation is subject to the following two Conditions:
 (1) This device may not cause harmful interference and
 (2) this device must accept any interference received, including interference that may cause undesired operation.

INDUSTRY CANADA NOTICE:

This device complies with Industry Canada ICES-003 class A requirements. Cet équipement est conforme a ICES-003 classe A de la norm Industrielle Canadian.



IEC 60950-1: 2005+A1: 2009
 EN 60950-1: 2006+A11: 2009+A1: 2010+A12: 2011



EMC: EN 55032:2012/AC:2013
 EN 55024:2010 + A1:2015



Argox Information Co., Ltd certifies that the following products and/or components are compliant with the current requirements of the European Union Restriction on the use of Hazardous Substances (RoHS) Directive, 2011/65/EU.

警告使用者:
 本產品為甲類資訊產品，為避免電磁干擾，
 本產品不應安裝或用於住宅環境。

CAUTION: Risk of Explosion if Battery is replaced by an Incorrect Type. Dispose of Used Batteries According to the Instructions.

ATTENTION: Risque d'explosion si la batterie est remplacée par un type incorrect. Mettre au rebus les batteries usagées selon les instructions.

Argox Information Co., Ltd.

8F., No. 28, Baogao Rd., Xindian Dist.,
 New Taipei City 231029, Taiwan (R.O.C.)
 Tel: +886-2-8912-1121 Fax: +886-2-8912-1124
<https://www.argo.com>
<https://www.youtube.com/user/argoxmkt>

Copyright © 2024. Argox Information Co.Ltd., All Rights Reserved.

單元 Unit	限制物質及其化學符號 Restricted substances and its chemical symbols					
	鉛Lead (Pb)	汞Mercury (Hg)	鎘Cadmium (Cd)	六價鉻Hexavalent chromium (Cr ⁶⁺)	多環聯苯多溴聯苯類Polychlorinated biphenyls (PCBs)	多溴二苯醚Polybrominated diphenyl ethers (PBDE)
印刷電路板組件	—	○	○	○	○	○
線圈	—	○	○	○	○	○
變壓器	—	○	○	○	○	○
印字機組件	—	○	○	○	○	○

備考 1: "超出0.1 wt%" 及 "超出0.01 wt%" 係指限制物質之百分比含量超出百分比含量基準值。
 Note 1: "Exceeding 0.1 wt%" and "exceeding 0.01 wt%" indicate that the percentage content of the restricted substance exceeds the reference percentage value of presence condition.
 備考 2: "○" 係指該項限制物質之百分比含量未超出百分比含量基準值。
 Note 2: "○" indicates that the percentage content of the restricted substance does not exceed the percentage of reference value of presence.
 備考 3: "—" 係指該項限制物質為豁免項目。
 Note 3: "—" indicates that the restricted substance corresponds to the exemption.

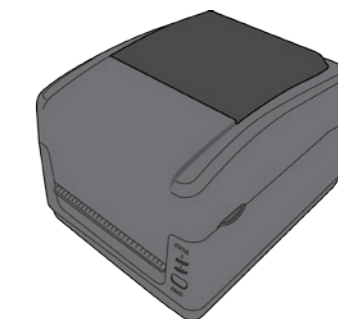
P4-200, P4-250, P4-280, P4-300, P4-350, P4-380
 P4-200plus, P4-250plus, P4-280plus, P4-300plus, P4-350plus, P4-380plus



**P4 Pro-Series
 Printers Quick Installation Guide**

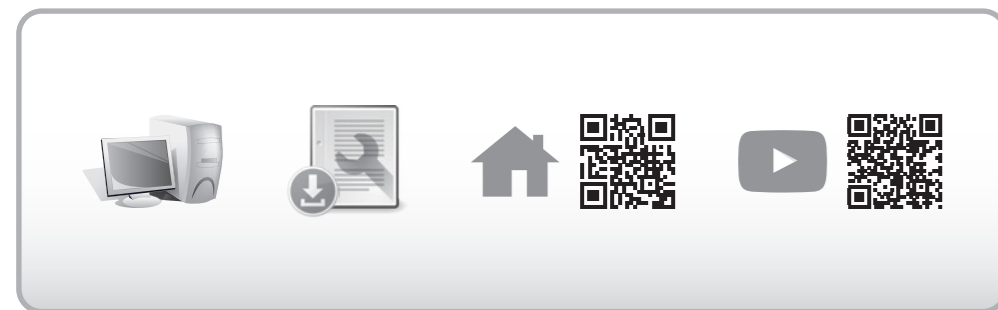


快速安裝指南
 快速安装指南
 Guía Rápida
 Rapide Guide
 Bedienerhandbuch
 Guia de Ajuda Rápida
 Guida Rapida
 Snabb Installationsguide
 Snelle Installatiegids
 Przewodnik Szybkiej Instalacji
 Pedoman Penginstalan Cara Cepat
 Hızlı Kurulum Kılavuzu
 빠른 설치 안내서

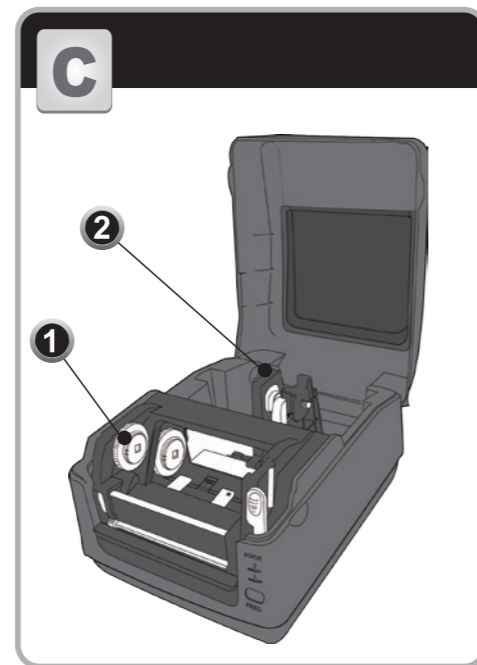
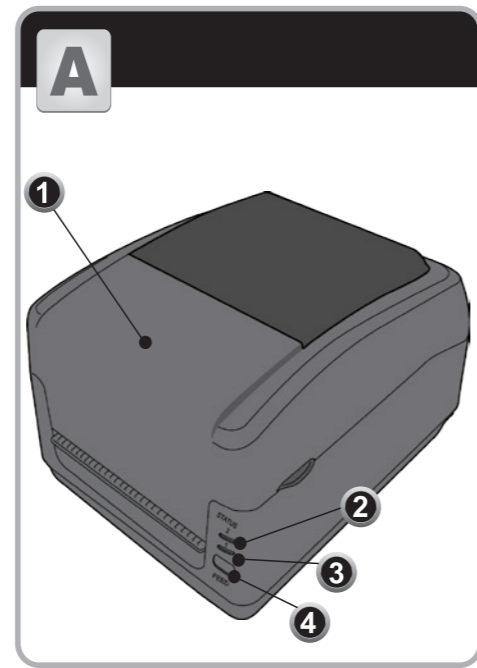


Part No: 49-P4201-021

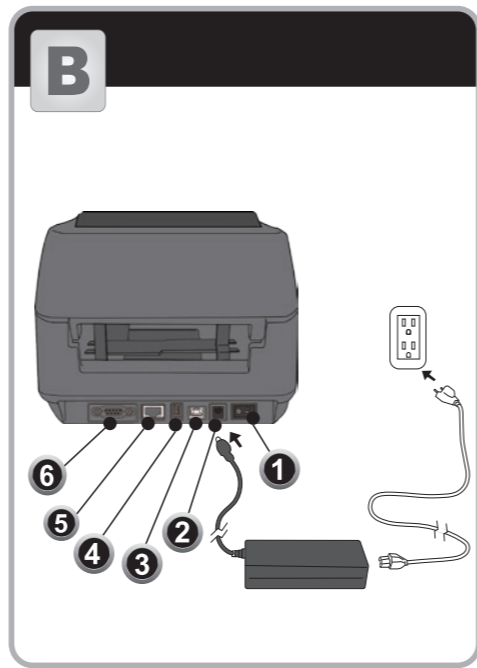
Revision Date: Jan. 2024



①



②



③

④

English

- A -
 - 1 Top Cover
 - 2 Indicator 2
 - 3 Indicator 1
 - 4 Feed Button
- B -
 - 1 Power Switch
 - 2 Conector de alimentación
 - 3 USB Tipo B
 - 4 USB Tipo A
 - 5 Ethernet
 - 6 Serial Port (RS-232C)
- C -
 - 1 Ribbon Take-Up Holder
 - 2 Media Holder
- D -
 - 1 Ribbon Supply Holder
 - 2 Platen Roller
 - 3 Thermal Printhead
 - 4 Media Guides

Español

- A -
 - 1 Cubierta Superior
 - 2 Indicador 2
 - 3 Indicador 1
 - 4 Botón FEED (Alimentación)
- B -
 - 1 Interruptor de Corriente
 - 2 Conector de alimentación
 - 3 USB Tipo A
 - 4 USB Tipo B
 - 5 Ethernet
 - 6 Serie RS232
- C -
 - 1 Soporte recogida de cinta
 - 2 Soporte de suministro de papel
- D -
 - 1 Suministro de cinta
 - 2 Rodillo arrastre
 - 3 Cabezal de impresión
 - 4 Guía de papel

Português

- A -
 - 1 Tampa Superior
 - 2 Indicador 2
 - 3 Indicador 1
 - 4 Botão Feed (alimentação)
- B -
 - 1 Interruptor Ligar/ Desligar
 - 2 Conector de Energia
 - 3 USB Tipo A
 - 4 USB Tipo B
 - 5 Ethernet
 - 6 Serial RS232
- C -
 - 1 Enrolador de Ribbon
 - 2 Suporte do Rolo de Papel
- D -
 - 1 Suporte do rolo de Ribbon
 - 2 Rolete
 - 3 Cabeça de Impressão
 - 4 Guia do papel

Deutsch

- A -
 - 1 Deckel
 - 2 Indikator 2
 - 3 Indikator 1
 - 4 FEED-Taste
- B -
 - 1 Netzschalter
 - 2 Stromanschluss
 - 3 USB Typ B
 - 4 USB Typ A
 - 5 Ethernet
 - 6 RS232 seriell
- C -
 - 1 Carbonbandaufnahmespindel
 - 2 Etikettenrollenhalter
- D -
 - 1 Farbband Spindel
 - 2 Andruckrolle
 - 3 Druckkopf
 - 4 Etikettenführung

Français

- A -
 - 1 Capot supérieur
 - 2 Indicateur 2
 - 3 Indicateur 1
 - 4 Bouton Avance papier
- B -
 - 1 Interrupteur Alimentation
 - 2 Connecteur d'alimentation
 - 3 USB Type B
 - 4 USB Type A
 - 5 Ethernet
 - 6 Port Série RS232
- C -
 - 1 Rembobineur de film
 - 2 Support Rouleau étiquettes
- D -
 - 1 Support Film Transfert
 - 2 Rouleau entrainement
 - 3 Tête d'impression
 - 4 Guide papier

繁體中文

- A -
 - 1 上蓋
 - 2 指示燈 2
 - 3 指示燈 1
 - 4 送紙鍵
- B -
 - 1 電源開關
 - 2 電源插孔
 - 3 USB Type B
 - 4 USB Type A
 - 5 乙太網路埠
 - 6 RS232 串列埠
- C -
 - 1 碳帶回收軸
 - 2 紙捲供應端
- D -
 - 1 碳帶供應軸
 - 2 滾軸
 - 3 印字頭模組
 - 4 導紙器

简体中文

- A -
 - 1 上盖
 - 2 指示灯 2
 - 3 指示灯 1
 - 4 送纸按钮
- B -
 - 1 电源开关
 - 2 电源连接器
 - 3 USB Type B
 - 4 USB Type A
 - 5 以太网端口
 - 6 RS232 串口
- C -
 - 1 碳带回收轴
 - 2 纸卷供应端
- D -
 - 1 碳带供应轴
 - 2 滚轴
 - 3 打印头模组
 - 4 标籤引导器

Svensk

- A -
 - 1 Övre kåpa
 - 2 Indikator 2
 - 3 Indikator 1
 - 4 Matningsknapp
- B -
 - 1 Strömbrytare
 - 2 Grenutttag
 - 3 USB Type B
 - 4 USB Type A
 - 5 Ethernet
 - 6 Serielle port (RS-232)
- C -
 - 1 Färgbandsupptagshållare
 - 2 Mediahållare
- D -
 - 1 Färgbandshållare
 - 2 Skrivvals
 - 3 Termiskt
 - 4 Mediaguider

한국어

- A -
 - 1 프린터 상단 커버
 - 2 LED 2
 - 3 LED 1
 - 4 급지 버튼 (Feed)
- B -
 - 1 전원 스위치
 - 2 전원 잭
 - 3 USB 타입 B
 - 4 USB 타입 A
 - 5 이더넷 (Ethernet)
 - 6 직렬 포트 (RS-232)
- C -
 - 1 리본 테이크 업 홀더
 - 2 미디어 홀더
- D -
 - 1 리본 공급 홀더
 - 2 플레이트 롤러
 - 3 열 전사 프린트 헤드
 - 4 미디어 가이드

Nederlands

- A -
 - 1 Top Cover
 - 2 Indicator 2
 - 3 Indicator 1
 - 4 Feed Button
- B -
 - 1 Stroomschakelaar
 - 2 Power Jack
 - 3 USB Type B
 - 4 USB type A
 - 5 Ethernet
 - 6 Seriele poort (RS-232)
- C -
 - 1 Lint oprol houder
 - 2 Media Houder
- D -
 - 1 Lint Houder
 - 2 Drukrol
 - 3 Thermische printkop
 - 4 Media Geleiders

Polskie

- A -
 - 1 Górna obudowa
 - 2 Wskaźnik 2
 - 3 Wskaźnik 1
 - 4 Przycisk podawania
- B -
 - 1 Przycisk zasilania
 - 2 Gniazdo zasilania
 - 3 USB typ B
 - 4 USB typ A
 - 5 Ethernet
 - 6 Port szeregowy (RS-232)
- C -
 - 1 Rolka na zużyta taśmę barwiącą
 - 2 Uchwyt mediów
- D -
 - 1 Rolka na taśmę barwiącą
 - 2 Walek dociskowy
 - 3 Głowica termiczna
 - 4 Przewodniki multimedialne

Italia

- A -
 - 1 Coperchio
 - 2 LED 2
 - 3 LED 1
 - 4 Pulsante avanzamento
- B -
 - 1 Interruttore accensione
 - 2 Connettore Alimentazione
 - 3 USB tipo B
 - 4 USB tipo A
 - 5 Ethernet
 - 6 Seriale RS232
- C -
 - 1 Albero recupero nastro
 - 2 Supporto rotolo
- D -
 - 1 Albero nastro nuovo
 - 2 Rullo stampa
 - 3 Modulo Testina di stampa
 - 4 Guida Carta

Türkçe

- A -
 - 1 Üst Kapak
 - 2 Gösterge
 - 3 1.Gösterge
 - 4 İlerletme Düğmesi
- B -
 - 1 Güç Düğmesi
 - 2 Güç Girişi
 - 3 USB Tip B
 - 4 USB Tip A
 - 5 Ethernet Port
 - 6 Seri Port (RS-232C)
- C -
 - 1 Ribbon Toplama Tutamacı
 - 2 Etiket Tutamacı
- D -
 - 1 Ribbon Kaynağı Tutamacı
 - 2 Kauçuk Silindir
 - 3 Termal Baskı Kafası
 - 4 Sıkıştırma Mandalları

Bahasa Indonesia

- A -
 - 1 Penutup Atas
 - 2 Indikasi 2
 - 3 Indikasi 1
 - 4 Tombol Maju
- B -
 - 1 Saklar Power
 - 2 Colokan Power
 - 3 USB Type B
 - 4 USB Type A
 - 5 Ethernet
 - 6 Serial
- C -
 - 1 Ribbon Bekas Penyangga
 - 2 Pegangan Media
- D -
 - 1 Dudukan Pemasuk Ribbon/Pita
 - 2 Platen Pengguling
 - 3 Printhead Thermal
 - 4 Panduan Media

