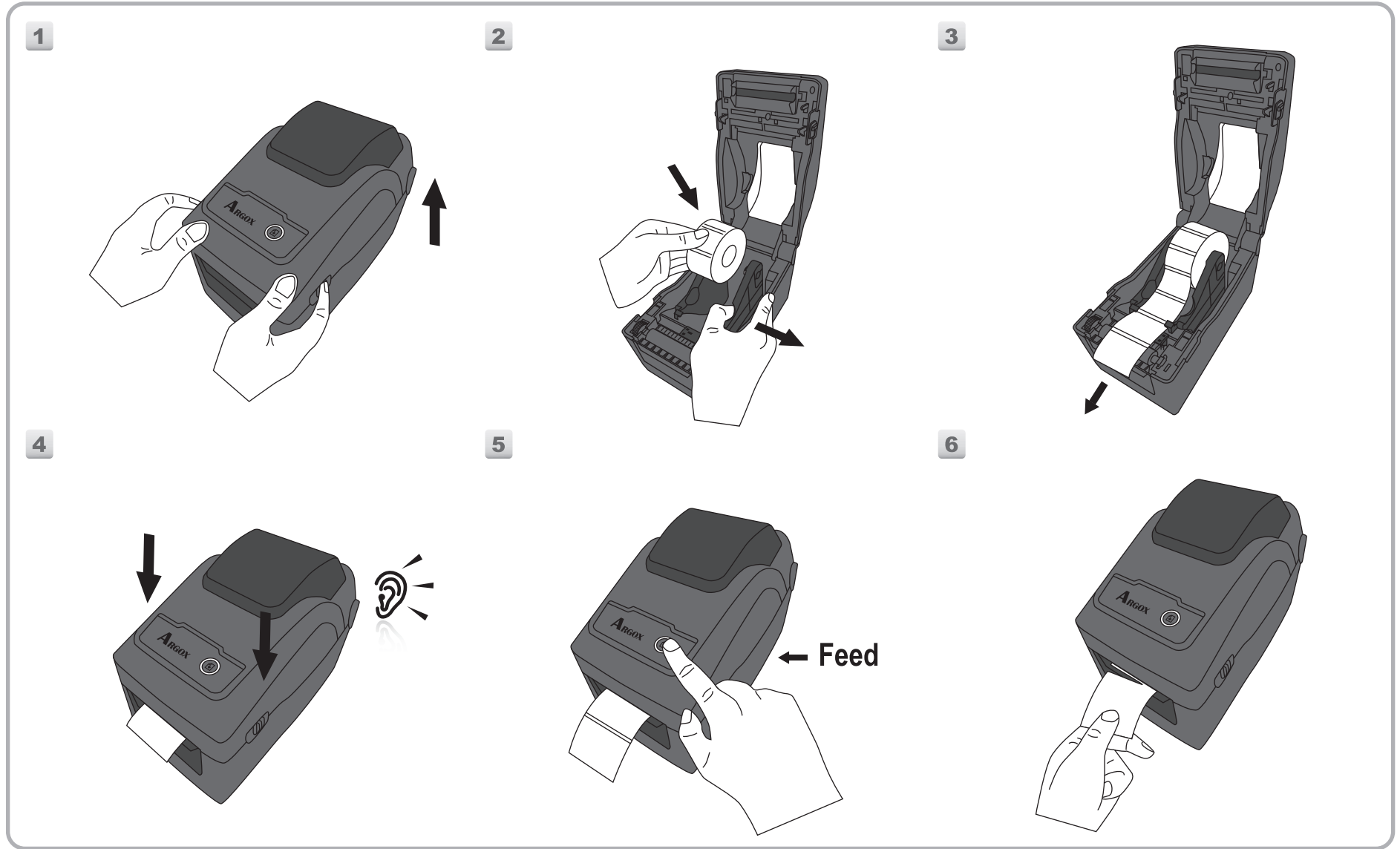


Loading Media  
 紙捲安裝  
 紙卷安裝  
 Instalación de papel  
 Chargement de papier  
 Laden des labelmaterials  
 Instalação de etiquetas  
 Caricamento carta  
 Lastning av papper  
 Pasang Bahan/Media  
 Papier laden  
 Zaladunek papieru  
 Etiket takma  
 용지 설치 방법



The user is cautioned that any changes or modifications not recommended by Argox Information Co. Ltd. could result in the loss of the user's authority to operate the equipment. To ensure compliance, the users must use accessories and peripherals approved by Argox Information Co. Ltd.



Supplemental Information: This device complies with the requirement of FCC Part 15 Rules. Operation is subject to the following two Conditions:  
 (1) This device may not cause harmful interference and  
 (2) this device must accept any interference received, including interference that may cause undesired operation.

**INDUSTRY CANADA NOTICE:**

This device complies with Industry Canada ICES-003 class A requirements.  
 Cet équipement est conforme a ICES-003 classe A de la norm Industrielle Canadian.



IEC 60950-1: 2005+A1: 2009  
 EN 60950-1: 2006+A11: 2009+A1: 2010+A12: 2011



EMC: EN 55032:2012/AC:2013  
 EN 55024:2010 + A1:2015



Argox Information Co., Ltd certifies that the following products and/or components are compliant with the current requirements of the European Union Restriction on the use of Hazardous Substances (RoHS) Directive, 2011/65/EU.

警告使用者：  
 本產品為甲類資訊產品，為避免電磁干擾，  
 本產品不應安裝或用於住宅環境。

CAUTION: Risk of Explosion if Battery is replaced by an Incorrect Type.  
 Dispose of Used Batteries According to the Instructions.

ATTENTION: Risque d'explosion si la batterie est remplacée par un type incorrect. Mettre au rebus les batteries usagées selon les instructions.

**Argox Information Co., Ltd.**

8F., No. 28, Baogao Rd., Xindian Dist.,  
 New Taipei City 231029, Taiwan (R.O.C.)  
 Tel: +886-2-8912-1121 Fax: +886-2-8912-1124  
<https://www.argo.com>  
<https://www.youtube.com/user/argoxmkt>  
 Copyright © 2024. Argox Information Co.Ltd., All Rights Reserved.

設備名稱：印表機  
 Equipment name: 印表機  
 型號 (型式): D2-250 (系列型號如下)  
 Type designation (Type): 印表機  
 受限制物質及其化學符號  
 Restricted substances and its chemical symbols

單元 Unit	鉛Lead (Pb)	汞Mercury (Hg)	鎘Cadmium (Cd)	六價鉻Hexavalent chromium (Cr <sup>6+</sup> )	多溴聯苯多溴聯苯醚 (PBB)	多溴二苯醚Polybrominated diphenyl ethers (PBDE)
印刷電路板組件	—	○	○	○	○	○
機殼	—	○	○	○	○	○
線材	○	○	○	○	○	○
電壓器	—	○	○	○	○	○
印字頭組件	—	○	○	○	○	○

備考 1. "超出0.1 wt%" 及 "超出0.01 wt%" 係指限制物質之百分比含量超出百分比含量基準值。  
 Note 1: "Exceeding 0.1 wt%" and "exceeding 0.01 wt%" indicate that the percentage content of the restricted substance exceeds the reference percentage value of presence condition.  
 備考 2. "○" 係指該項限制物質之百分比含量未超出百分比含量基準值。  
 Note 2: "○" indicates that the percentage content of the restricted substance does not exceed the percentage of reference value of presence.  
 備考 3. "—" 係指該項限制物質為排除項目。  
 Note 3: The "-" indicates that the restricted substance corresponds to the exemption.

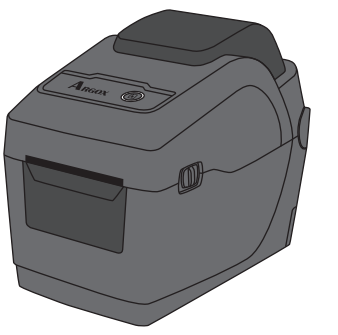
D2-200, D2-240, D2-250, D2-260, D2-270, D2-280, D2-200pro, D2-240pro, D2-250pro, D2-260pro, D2-270pro, D2-280pro, D2-200plus, D2-240plus, D2-250plus, D2-260plus, D2-270plus, D2-280plus, D2-240, D2-250, D2-260, D2-270, D2-280, D2-200pro, D2-240pro, D2-250pro, D2-260pro, D2-270pro, D2-280pro, D2-200plus, D2-240plus, D2-250plus, D2-260plus, D2-270plus, D2-280plus



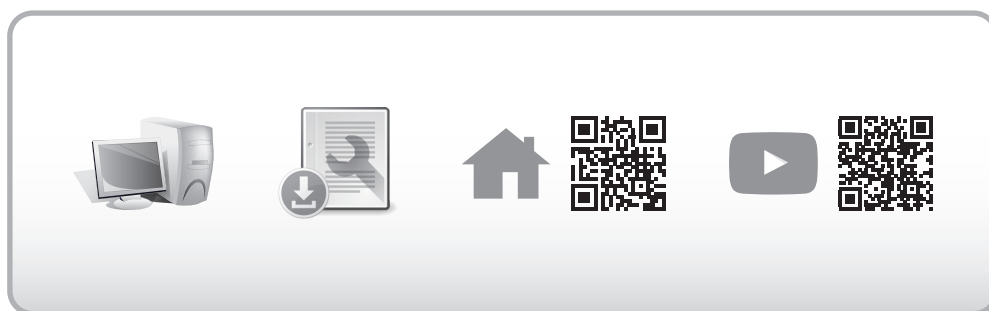
**D2 Pro-Series  
 Printers Quick Installation Guide**



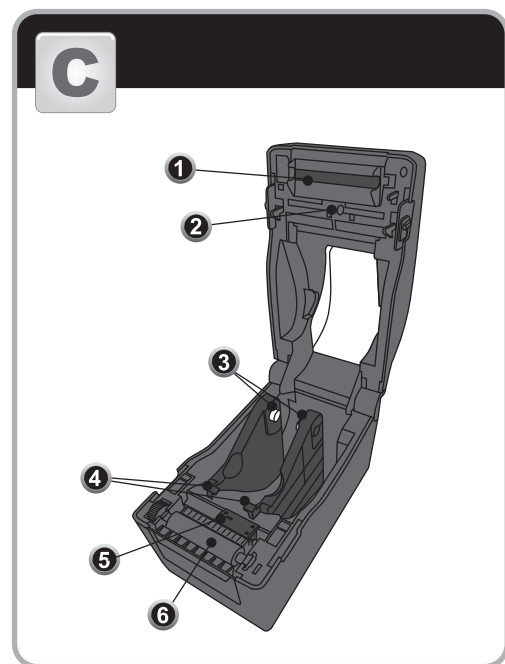
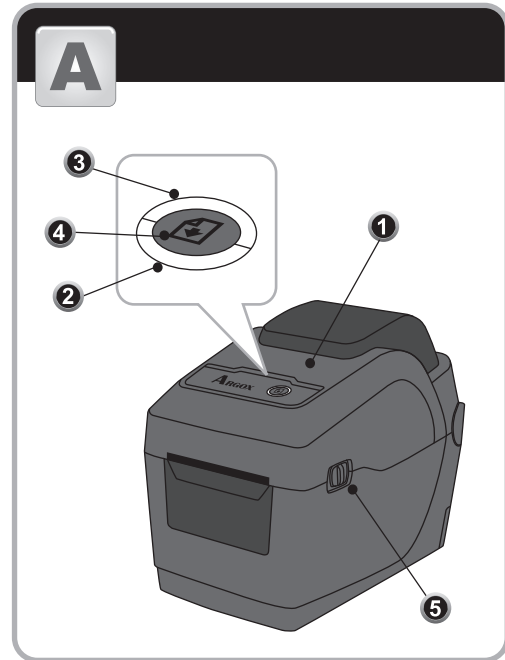
快速安裝指南  
 快速安装指南  
 Guía Rápida  
 Rapide Guide  
 Bedienerhandbuch  
 Guia de Ajuda Rápida  
 Guida Rapida  
 Snabb Installationsguide  
 Snelle Installatiegids  
 Przewodnik Szybkiej Instalacji  
 Pedoman Penginstalan Cara Cepat  
 Hızlı Kurulum Kılavuzu  
 빠른 설치 안내서



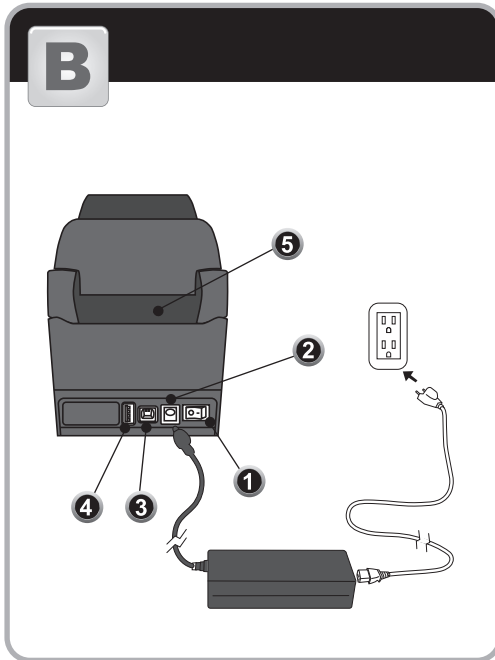
Part No: 49-D2201-011  
 Revision Date: Jan. 2024



①



②



### English

- A -**
- 1 Top Cover
  - 2 Indicator 1
  - 3 Indicator 2
  - 4 Feed Button
  - 5 Cover Open Latch

- B -**
- 1 Power Switch
  - 2 Power Jack
  - 3 USB Type B
  - 4 USB Type A
  - 5 Paper Slot

- C -**
- 1 Thermal Printhead
  - 2 Transmissive Sensor
  - 3 Media Roll Holders
  - 4 Media Guides
  - 5 Reflective Sensor
  - 6 Platen Roller

### Español

- A -**
- 1 Cubierta Superior
  - 2 Indicador 1
  - 3 Indicador 2
  - 4 Botón FEED (Alimentación)
  - 5 Pestillo Tapa abierta

- B -**
- 1 Interruptor de Corriente
  - 2 Conector de alimentación
  - 3 USB Tipo B
  - 4 USB Tipo A
  - 5 La ranura de papel

- C -**
- 1 Cabezal de impresión
  - 2 Sensor transmisor
  - 3 Soporte de rollo de papel
  - 4 Guías de papel
  - 5 Sensor reflexivo
  - 6 Rodillo de platina

### Português

- A -**
- 1 Tapa Superior
  - 2 Indicador 1
  - 3 Indicador 2
  - 4 Botão Feed (alimentação)
  - 5 Trava para abrir a tampa

- B -**
- 1 Interruptor Ligar/ Desligar
  - 2 Conector de Energia
  - 3 USB Tipo A
  - 4 USB Tipo B
  - 5 Abertura de papel

- C -**
- 1 Cabeça de Impressão
  - 2 Sensor Transmissível
  - 3 Suporte do Rolo de Papel
  - 4 Guia do papel
  - 5 Sensor reflexivo
  - 6 Rolete

### Deutsch

- A -**
- 1 Deckel
  - 2 Indikator 1
  - 3 Indikator 2
  - 4 FEED-Taste
  - 5 Gehäuse Verriegelung

- B -**
- 1 Netzschalter
  - 2 Stromanschluß
  - 3 USB Typ B
  - 4 USB Typ A
  - 5 Material Zuführung

- C -**
- 1 Druckkopf
  - 2 Durchlicht Sensor
  - 3 Etikettenrollenhalter
  - 4 Etikettenführung
  - 5 Reflektions Sensor
  - 6 Andruckrolle

### Français

- A -**
- 1 Capot supérieur
  - 2 Indicateur 1
  - 3 Indicateur 2
  - 4 Bouton Avance papier
  - 5 outon Ouverture capot

- B -**
- 1 Interrupteur Alimentation
  - 2 Connecteur d'alimentation
  - 3 USB Type B
  - 4 USB Type A
  - 5 Ouverture Etiquettes paravent

- C -**
- 1 Tête d'impression
  - 2 Cellule transmissive
  - 3 Guide Rouleau étiquettes
  - 4 Guide papier
  - 5 Cellule Réflective
  - 6 Rouleau entraînement

### 繁體中文

- A -**
- 1 上蓋
  - 2 指示燈 1
  - 3 指示燈 2
  - 4 送紙鍵
  - 5 上蓋開關

- B -**
- 1 電源開關
  - 2 電源插孔
  - 3 USB Type B
  - 4 USB Type A
  - 5 進紙口

- C -**
- 1 印字頭模組
  - 2 穿透式感測器
  - 3 掛紙架
  - 4 導紙器
  - 5 反射式感測器
  - 6 壓紙滾軸

### 简体中文

- A -**
- 1 上盖
  - 2 指示灯 1
  - 3 指示灯 2
  - 4 送纸按钮
  - 5 上盖开关

- B -**
- 1 电源开关
  - 2 电源连接器
  - 3 USB Type B
  - 4 USB Type A
  - 5 进纸槽

- C -**
- 1 打印头模组
  - 2 穿透式传感器
  - 3 挂纸架
  - 4 标纸引导器
  - 5 反射式传感器
  - 6 压纸滚轴

### Svensk

- A -**
- 1 Övre kåpa
  - 2 Indikator 1
  - 3 Indikator 2
  - 4 Matningsknapp
  - 5 Lucköppningsspärr

- B -**
- 1 Strömbrytare
  - 2 Grenuttag
  - 3 USB Type B
  - 4 USB Type A
  - 5 Pappersöppning

- C -**
- 1 Termiskt skrivhuvud
  - 2 Transmissiv sensor
  - 3 Mediahållare
  - 4 Mediaguider
  - 5 Reflektionssensor
  - 6 Skrivvals

### 한국어

- A -**
- 1 프린터 상단 커버
  - 2 LED 1
  - 3 LED 2
  - 4 급지 버튼 (Feed)
  - 5 커버오픈 레버

- B -**
- 1 전원 스위치
  - 2 전원 잭
  - 3 USB 타입 B
  - 4 USB 타입 A
  - 5 용지 슬롯

- C -**
- 1 열 전사 프린트 헤드
  - 2 투과형 센서 (Gap)
  - 3 미디어 홀더
  - 4 미디어 가이드
  - 5 반사형 센서 (I-mark)
  - 6 플래튼 롤러

### Nederlands

- A -**
- 1 Top Cover
  - 2 Indicator 1
  - 3 Indicator 2
  - 4 Feed Button
  - 5 Kap opener

- B -**
- 1 Stroomschakelaar
  - 2 Power Jack
  - 3 USB Type B
  - 4 USB Type A
  - 5 Papier opening

- C -**
- 1 Thermische printkop
  - 2 Tussenruimte sensor
  - 3 Media Houder
  - 4 Media Geleiders
  - 5 Markering sensor
  - 6 Drukrol

### Polskie

- A -**
- 1 Górná obudowa
  - 2 Wskaźnik 1
  - 3 Wskaźnik 2
  - 4 Przycisk podawania
  - 5 Dźwignia otwierania pokryw

- B -**
- 1 Przycisk zasilania
  - 2 Gniazdo zasilania
  - 3 USB typ B
  - 4 USB typ A
  - 5 Wlot papieru

- C -**
- 1 Głowica termiczna
  - 2 Czujnik przepuszczający
  - 3 Uchwyt mediów
  - 4 Przewodniki multimedialne
  - 5 Czujnik odbijający
  - 6 Walek dociskowy

### Italia

- A -**
- 1 Coperchio
  - 2 LED 1
  - 3 LED 2
  - 4 Pulsante avanzamento
  - 5 Fermo Apertura Coperchio

- B -**
- 1 Interruttore accensione
  - 2 Connettore Alimentazione
  - 3 USB tipo B
  - 4 USB tipo A
  - 5 Passaggio Carta

- C -**
- 1 Modulo Testina di stampa
  - 2 Sensore Trasmissivo (GAP)
  - 3 Supporto rotolo
  - 4 Guida Carta
  - 5 Sensore Riflessivo (Tacca)
  - 6 Rullo stampa

### Türkçe

- A -**
- 1 Üst Kapak
  - 2 1.Gösterge
  - 3 2.Gösterge
  - 4 İlerleme Düğmesi
  - 5 Kapak Açma Mandalı

- B -**
- 1 Güç Düğmesi
  - 2 Güç Girişi
  - 3 USB Tip B
  - 4 USB Tip A
  - 5 Kağıt Yuvası

- C -**
- 1 Termal Baskı Kafası
  - 2 Geçirgen Sensör
  - 3 Etiket Tutamacı
  - 4 Sıkıştırma Mandalları
  - 5 Yansıtıcı Sensör
  - 6 Kauçuk Silindir

### Bahasa Indonesia

- A -**
- 1 Penutup Atas
  - 2 Indikasi 1
  - 3 Indikasi 2
  - 4 Tombol Maju
  - 5 Pengunci Cover Atas

- B -**
- 1 Saklar Power
  - 2 Colokan Power
  - 3 USB Type B
  - 4 USB Type A
  - 5 Lubang Media Label

- C -**
- 1 Printhead Thermal
  - 2 Sensor Gap
  - 3 Pegangan Roll Media
  - 4 Panduan Media
  - 5 Sensor Black Mark
  - 6 Platen Penggulung

④