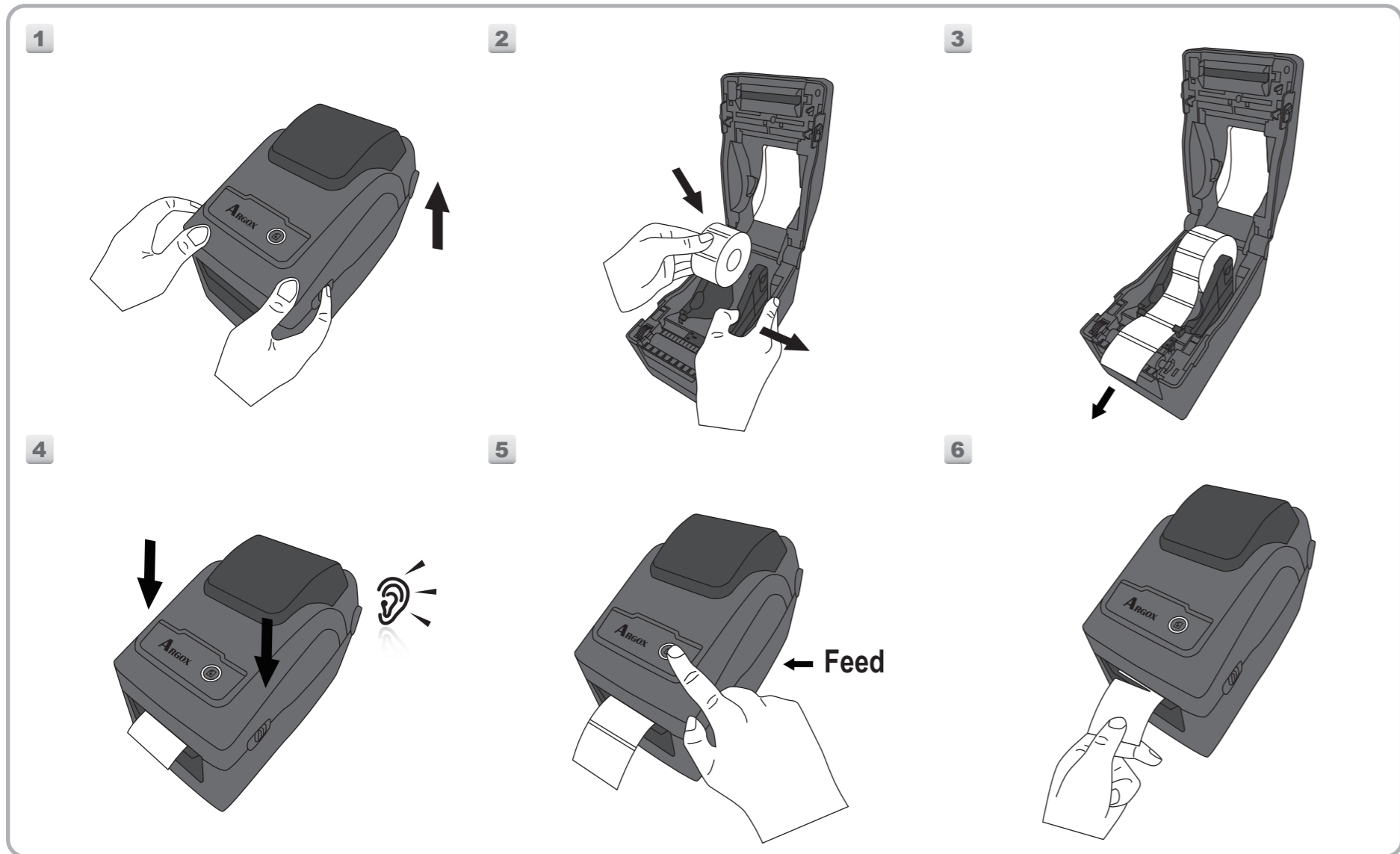


Loading Media
 紙捲安裝
 紙卷安裝
 Instalación de papel
 Chargement de papier
 Laden des labelmaterials
 Instalação de etiquetas
 Caricamento carta
 Lastning av papper
 Pasang Bahan/Media
 Papier laden
 Zaladunek papieru
 Etiket takma
 용지 설치 방법



The user is cautioned that any changes or modifications not recommended by Argox Information Co. Ltd. could result in the loss of the user's authority to operate the equipment. To ensure compliance, the users must use accessories and peripherals approved by Argox Information Co. Ltd.



Supplemental Information: This device complies with the requirement of FCC Part 15 Rules. Operation is subject to the following two Conditions:
 (1) This device may not cause harmful interference and
 (2) this device must accept any interference received, including interference that may cause undesired operation.

INDUSTRY CANADA NOTICE:

This device complies with Industry Canada ICES-003 class A requirements.
 Cet équipement est conforme a ICES-003 classe A de la norm Industrielle Canadian.



Please only use adapters with the following electrical characteristics and are certified by current legislation. Using other adapters may damage the device and void the warranty also cause risks to the user.
 Specifications Input: 24VDC, 2.4A



EMC: EN 55032:2012/AC:2013
 EN 55024:2010 + A1:2015



Argox Information Co., Ltd certifies that the following products and/or components are compliant with the current requirements of the European Union Restriction on the use of Hazardous Substances (RoHS) Directive, 2011/65/EU.



A급기기(업무용 방송통신기기)
 이 기기는 업무용(A급)으로 전자파적합등록을 한 기기이오니 판매자 또는 사용자는 이점을 주의하시기 바라며, 가정외의 지역에서 사용하는 것을 목적으로 합니다.

CAUTION: RISK OF EXPLOSION IF BATTERY IS REPLACED BY AN INCORRECT TYPE. DISPOSE OF USED BATTERIES ACCORDING TO THE INSTRUCTIONS.

ATTENTION. RISQUE D'EXPLOSION SI LA BATTERIE EST REMPLACÉE PAR UN MODELE INCORRECT. JETEZ LES BATTERIES USAGÉES SELON LES INSTRUCTIONS S'Y REFERANT.

Argox Information Co., Ltd.

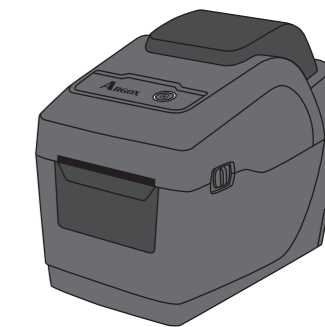
7F., No.126, Ln.235, Baoqiao Rd., Xindian Dist.,
 New Taipei City 231, Taiwan (R.O.C.)
 Tel: +886-2-8912-1121 Fax: +886-2-8912-1124
<http://www.argox.com>
<https://www.youtube.com/user/argoxmkt>
 email:service@argox.com

Copyright © 2017. Argox Information Co.Ltd., All Rights Reserved.



**D2-Series
 Printers Quick Installation Guide**

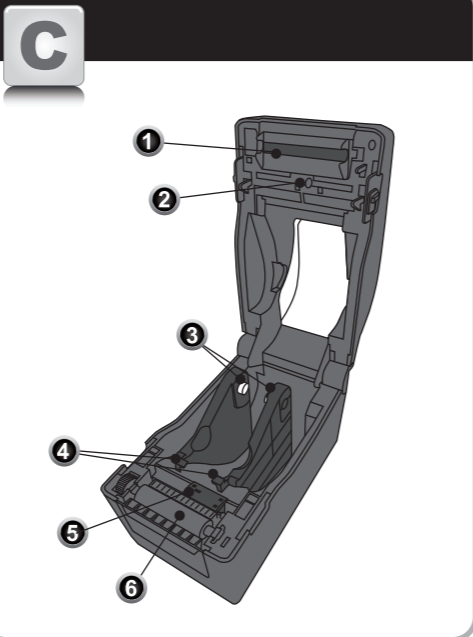
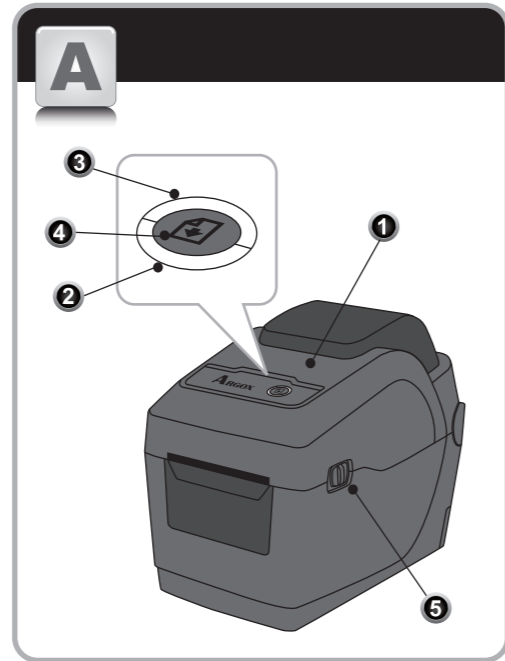
快速安裝指南
 快速安裝指南
 Guía Rápida
 Rapide Guide
 Bedienerhandbuch
 Guia de Ajuda Rápida
 Guida Rapida
 Snabb Installationsguide
 Snelle Installatiegids
 Przewodnik Szybkiej Instalacji
 Pedoman Penginstalan Cara Cepat
 Hızlı Kurulum Kılavuzu
 빠른 설치 안내서



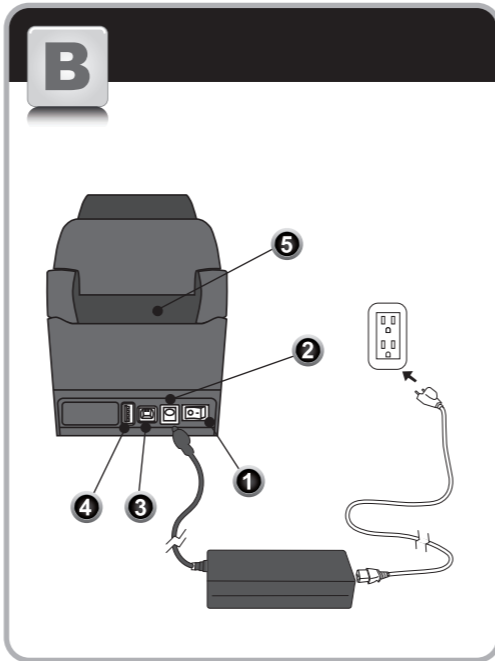
Part No: 49-D2201-001
 Revision Date: Aug. 2017



①



②



③

English

- A -**
- 1 Top Cover
 - 2 Indicator 1
 - 3 Indicator 2
 - 4 Feed Button
 - 5 Cover Open Latch

- B -**
- 1 Power Switch
 - 2 Power Jack
 - 3 USB Type B
 - 4 USB Type A
 - 5 Paper Slot

- C -**
- 1 Thermal Printhead
 - 2 Transmissive Sensor
 - 3 Media Roll Holders
 - 4 Media Guides
 - 5 Reflective Sensor
 - 6 Platen Roller

Español

- A -**
- 1 Cubierta Superior
 - 2 Indicador 1
 - 3 Indicador 2
 - 4 Botón FEED (Alimentación)
 - 5 Pestillo Tapa abierta

- B -**
- 1 Interruptor de Corriente
 - 2 Conector de alimentación
 - 3 USB Tipo B
 - 4 USB Tipo A
 - 5 La ranura de papel

- C -**
- 1 Cabezal de impresión
 - 2 Sensor transmisor
 - 3 Soporte de rollo de papel
 - 4 Guías de papel
 - 5 Sensor reflexivo
 - 6 Rodillo de platina

Português

- A -**
- 1 Tampa Superior
 - 2 Indicador 1
 - 3 Indicador 2
 - 4 Botão Feed (alimentação)
 - 5 Trava para abrir a tampa

- B -**
- 1 Interruptor Ligar/ Desligar
 - 2 Conector de Energia
 - 3 USB Tipo B
 - 4 USB Tipo A
 - 5 Abertura de papel

- C -**
- 1 Cabeça de Impressão
 - 2 Sensor Transmissível
 - 3 Suporte do Rolo de Papel
 - 4 Guia do papel
 - 5 Sensor reflexivo
 - 6 Rolete

Deutsch

- A -**
- 1 Deckel
 - 2 Indikator 1
 - 3 Indikator 2
 - 4 FEED-Taste
 - 5 Gehäuse Verriegelung

- B -**
- 1 Netzschalter
 - 2 Stromanschluß
 - 3 USB Typ B
 - 4 USB Typ A
 - 5 Material Zuführung

- C -**
- 1 Druckkopf
 - 2 Durchlicht Sensor
 - 3 Etikettenrollenhalter
 - 4 Etikettenführung
 - 5 Reflektions Sensor
 - 6 Andruckrolle

Français

- A -**
- 1 Capot supérieur
 - 2 Indicateur 1
 - 3 Indicateur 2
 - 4 Bouton Avance papier
 - 5 outon Ouverture capot

- B -**
- 1 Interrupteur Alimentation
 - 2 Connecteur d'alimentation
 - 3 USB Type B
 - 4 USB Type A
 - 5 Ouverture Etiquettes paravent

- C -**
- 1 Tête d'impression
 - 2 Cellule transmissive
 - 3 Guide Rouleau étiquettes
 - 4 Guide papier
 - 5 Cellule Réflective
 - 6 Rouleau entraînement

繁體中文

- A -**
- 1 上蓋
 - 2 指示燈 1
 - 3 指示燈 2
 - 4 送紙鍵
 - 5 上蓋開關

- B -**
- 1 電源開關
 - 2 電源插孔
 - 3 USB Type B
 - 4 USB Type A
 - 5 進紙口

- C -**
- 1 印字頭模組
 - 2 穿透式感測器
 - 3 掛紙架
 - 4 導紙器
 - 5 反射式感測器
 - 6 壓紙滾輪

简体中文

- A -**
- 1 上盖
 - 2 指示灯 1
 - 3 指示灯 2
 - 4 送纸按钮
 - 5 上盖开关

- B -**
- 1 电源开关
 - 2 电源连接器
 - 3 USB Type B
 - 4 USB Type A
 - 5 喂纸槽

- C -**
- 1 打印头模组
 - 2 穿透式传感器
 - 3 挂纸架
 - 4 标籤引导器
 - 5 反射式传感器
 - 6 压纸滚轴

④

Svensk

- A -**
- 1 Övre kåpa
 - 2 Indikator 1
 - 3 Indikator 2
 - 4 Matningsknapp
 - 5 Lucköppningsspär

- B -**
- 1 Strömbrytare
 - 2 Grenuttag
 - 3 USB Type B
 - 4 USB Type A
 - 5 Pappersöppning

- C -**
- 1 Termiskt skrivhuvud
 - 2 Transmissiv sensor
 - 3 Mediahållare
 - 4 Mediaguider
 - 5 Reflektionssensor
 - 6 Skrivvals

한국어

- A -**
- 1 프린터 상단 커버
 - 2 LED 1
 - 3 LED 2
 - 4 급지 버튼 (Feed)
 - 5 커버 오픈 레버

- B -**
- 1 전원 스위치
 - 2 전원 잭
 - 3 USB 타입 B
 - 4 USB 타입 A
 - 5 용지 슬롯

- C -**
- 1 열 전사 프린트 헤드
 - 2 투과형 센서 (Gap)
 - 3 미디어 홀더
 - 4 미디어 가이드
 - 5 반사형 센서 (I-mark)
 - 6 플래튼 롤러

Nederlands

- A -**
- 1 Top Cover
 - 2 Indicator 1
 - 3 Indicator 2
 - 4 Feed Button
 - 5 Kap opener

- B -**
- 1 Stroomschakelaar
 - 2 Power Jack
 - 3 USB Type B
 - 4 USB type A
 - 5 Papier opening

- C -**
- 1 Thermische printkop
 - 2 Tussenruimte sensor
 - 3 Media Houder
 - 4 Media Geleiders
 - 5 Markering sensor
 - 6 Drukrol

Polskie

- A -**
- 1 Góra obudowa
 - 2 Wskaźnik 1
 - 3 Wskaźnik 2
 - 4 Przycisk podawania
 - 5 Dźwignia otwierania pokrywy

- B -**
- 1 Przycisk zasilania
 - 2 Gniazdo zasilania
 - 3 USB typ B
 - 4 USB typ A
 - 5 Wlot papieru

- C -**
- 1 Głowica termiczna
 - 2 Czujnik przepuszczający
 - 3 Uchwyt mediów
 - 4 Przewodniki multimedialne
 - 5 Czujnik odbijający
 - 6 Walek dociskowy

Italia

- A -**
- 1 Coperchio
 - 2 LED 1
 - 3 LED 2
 - 4 Pulsante avanzamento
 - 5 Fermo Apertura Coperchio

- B -**
- 1 Interruttore accensione
 - 2 Connettore Alimentazione
 - 3 USB tipo B
 - 4 USB tipo A
 - 5 Passaggio Carta

- C -**
- 1 Modulo Testina di stampa
 - 2 Sensore Trasmissivo (GAP)
 - 3 Supporto rotolo
 - 4 Guida Carta
 - 5 Sensore Riflessivo (Tacca)
 - 6 Rullo stampa

Türkçe

- A -**
- 1 Üst Kapak
 - 2 1.Gösterge
 - 3 2.Gösterge
 - 4 İlerletme Düğmesi
 - 5 Kapak Açma Mandali

- B -**
- 1 Güç Düğmesi
 - 2 Güç Girişi
 - 3 USB Tip B
 - 4 USB Tip A
 - 5 Kağıt Yuvası

- C -**
- 1 Termal Baskı Kafası
 - 2 Geçirgen Sensör
 - 3 Etiket Tutamacı
 - 4 Sikiştirme Mandalları
 - 5 Yansıtıcı Sensör
 - 6 Kauçuk Silindir

Bahasa Indonesia

- A -**
- 1 Penutup Atas
 - 2 Indikasi 1
 - 3 Indikasi 2
 - 4 Tombol Maju
 - 5 Pengunci Cover Atas

- B -**
- 1 Saklar Power
 - 2 Colokan Power
 - 3 USB Type B
 - 4 USB Type A
 - 5 Lubang Media Label

- C -**
- 1 Printhead Thermal
 - 2 Sensor Gap
 - 3 Pegangan Roll Media
 - 4 Panduan Media
 - 5 Sensor Black Mark
 - 6 Platen Penggulung